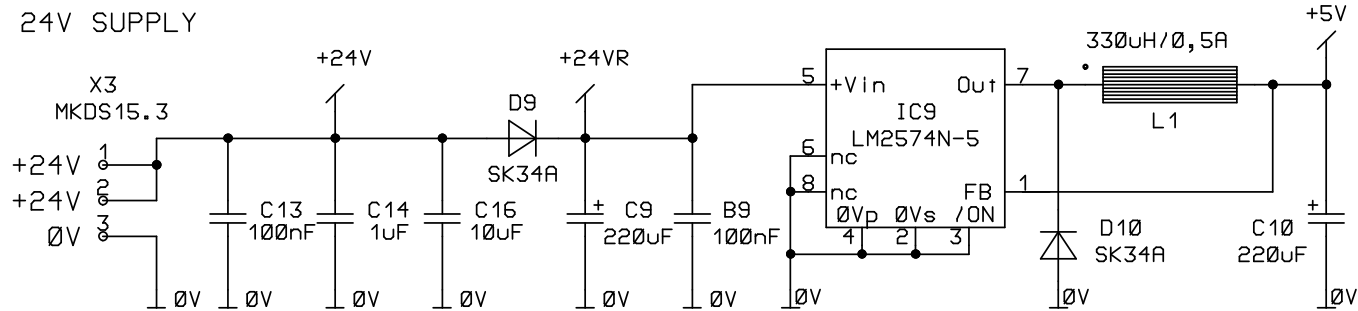
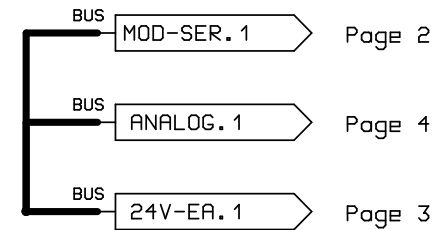


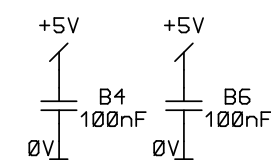
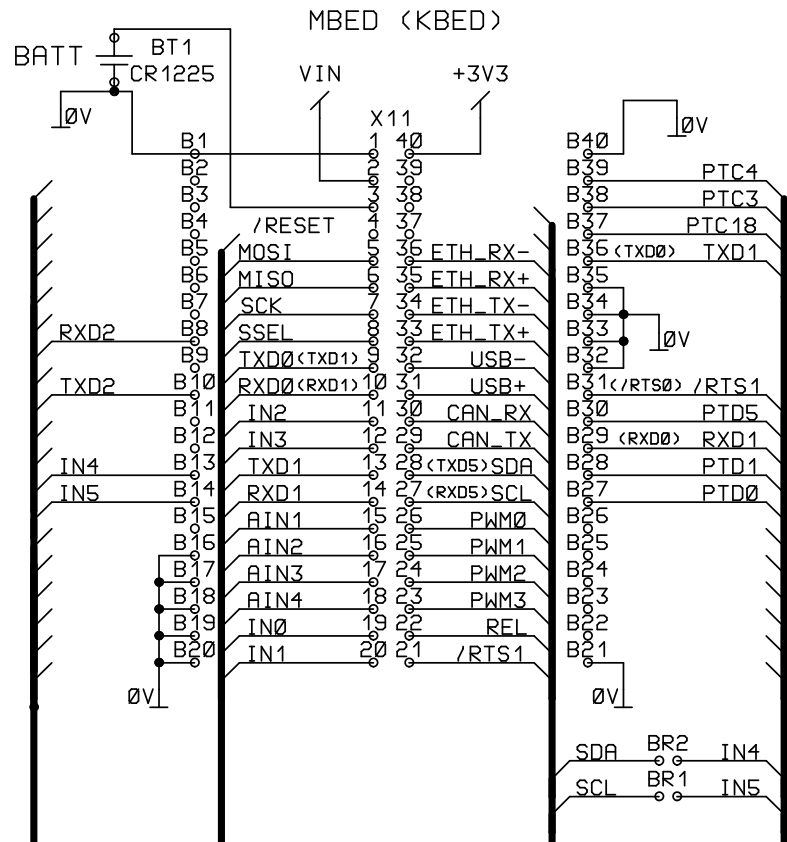
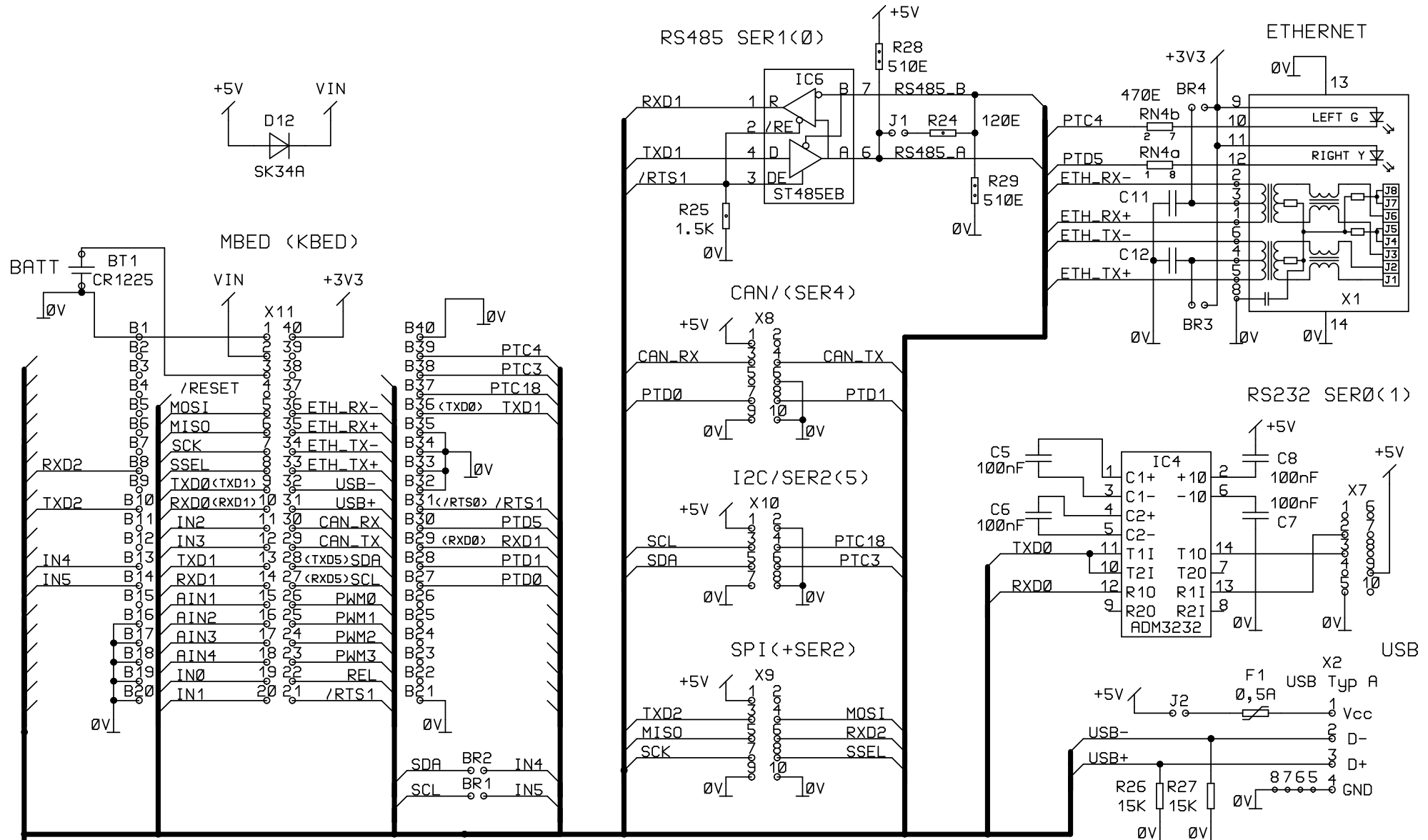
# NET-MBEDRAIL24V N044A-1545 (SF)

IC100  
RAIL CASE 103mm

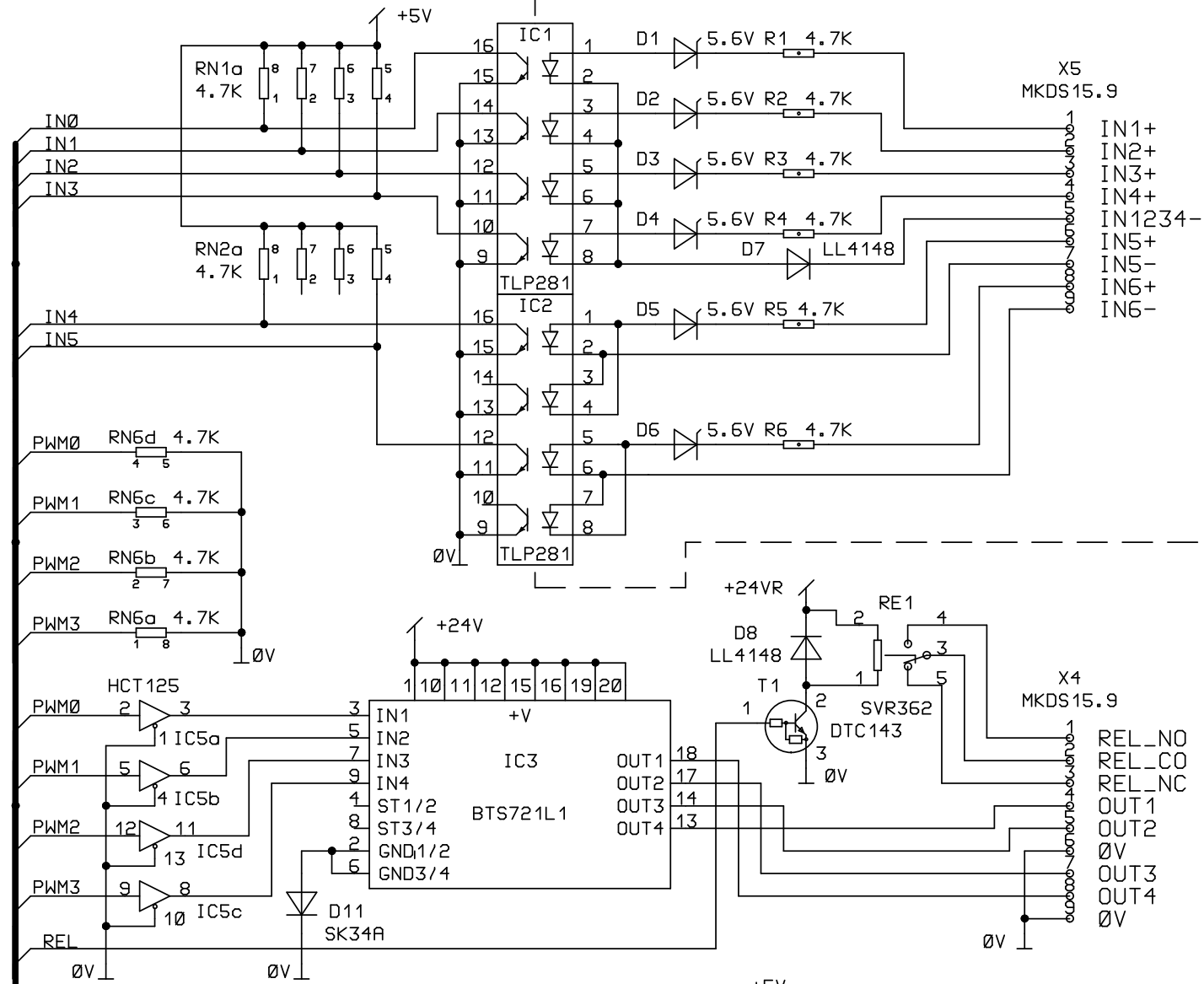


N01  
ELZET 1

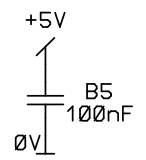
NAME	DATE	REV.	ELZET 80 52062 AACHEN Theaterplatz 9 Tel. 0241 / 48410
ML	31.03.14	1414	
ML	25.09.14	1420	
ML	07.11.15	1545	
			NET-MBEDRAIL24V N044A-...



NAME	DATE	REV.	ELZET 80	
ML	31.03.14	1414	52062 AACHEN Theaterplatz 9	
ML	25.09.14	1420	Tel. 0241 / 48410	
ML	07.11.15	1545		
			NET-MBEDRAIL24V	
			N044A-...	
			PAGE	
			2	
			of 4	



CNTL  
 BUS

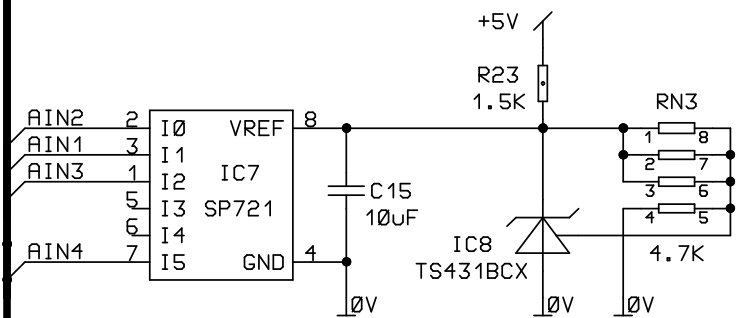
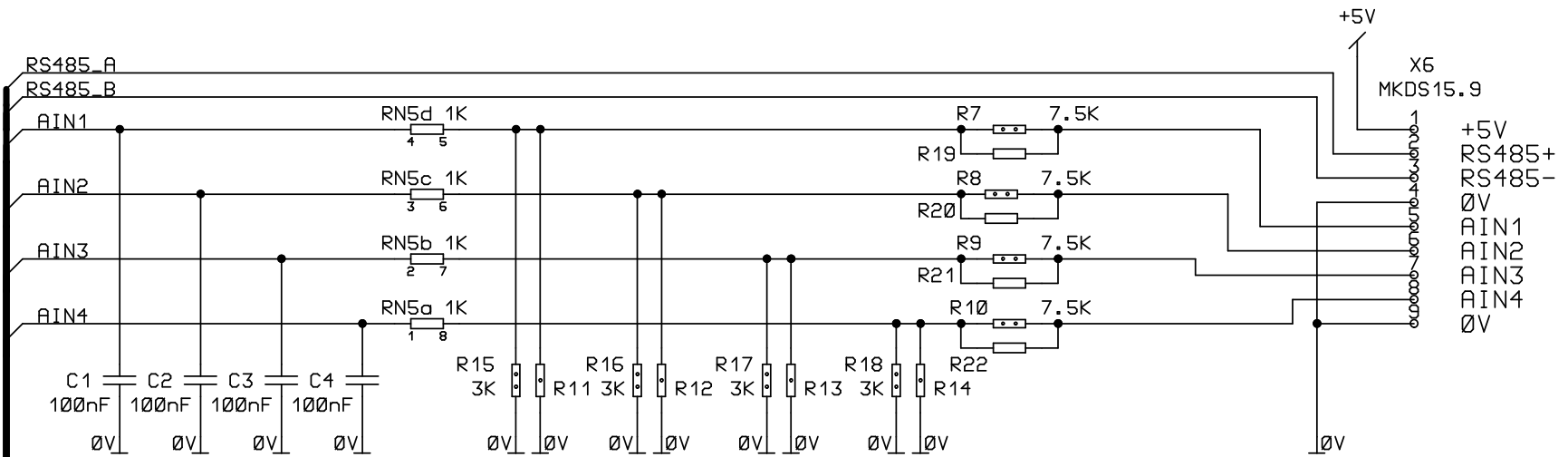


NAME	DATE	REV.
ML	31.03.14	1414
ML	25.09.14	1420
ML	07.11.15	1545

**ELZET 80**  
 52062 AACHEN Theaterplatz 9  
 Tel. 0241 / 48410

NET-MBEDRAIL24V  
 N044A-...

PAGE	3
of	4



OPTION 0..24mA (20mA = 2V)

R11...R14	1000hm 0,5W
R19...R22	1500hm 2512 2W

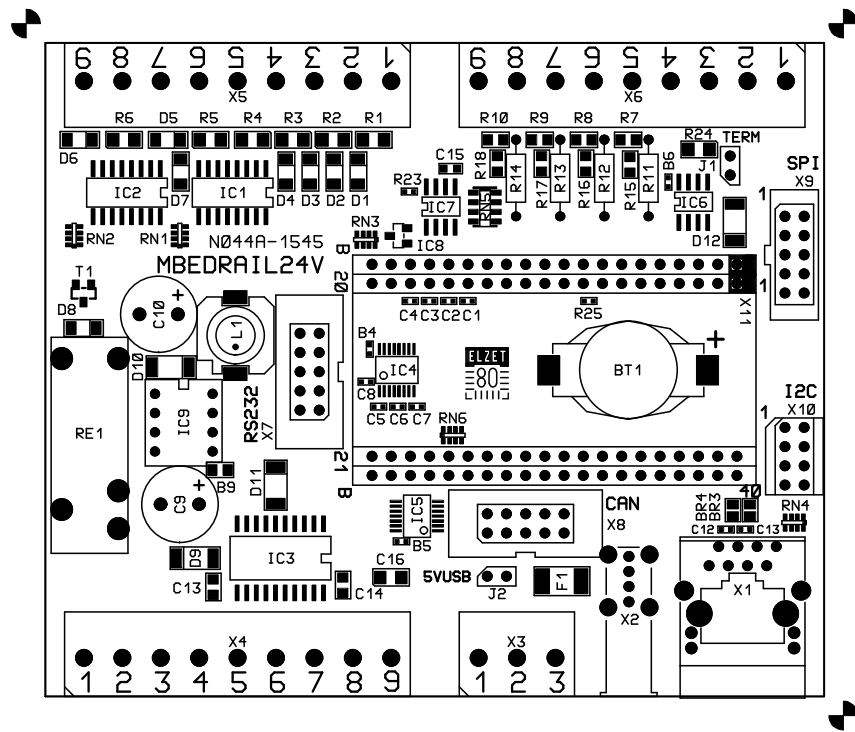
CNTL



NAME	DATE	REV.	ELZET 80 52062 AACHEN Theaterplatz 9 Tel. 0241 / 48410
ML	31.03.14	1414	
ML	25.09.14	1420	
ML	07.11.15	1545	
			NET-MBEDRAIL24V
			N044A-...
			PAGE
			4
			of 4

- Rev. 1414 : - initial
- Rev. 1420 : - X1, X2, X3, REL1 Part Position adjusted (Layout)  
 - IC5 (HCT14) changed to HCT125 (noninverting)  
 - RN6 added (Pull Downs)  
 - Optional R26 R27 added (MBED USB Master)  
 - Optional R28 R29 added (RS485 Fail Save Bias)  
 - X3 changed to 3pol. type
- Rev. 1545 : - X1, X2, X8 Position (Layout) corrected

NAME	DATE	REV.	
ML	31.03.14	1414	ELZET 80
ML	25.09.14	1420	52062 AACHEN Theaterplatz 9
ML	07.11.15	1545	Tel. 0241 / 48410
			NET-MBEDRAIL24V
			N044A-...
			BBET
			0
			von 4



NET-MBEDRAIL24V

N044A-1545

Silkscreen Comp. Side

NET-MBEDRAILS4V NQ44A-1242 211kcrbn 201br 21br

